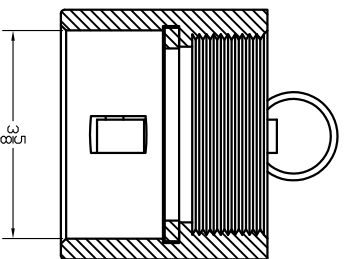
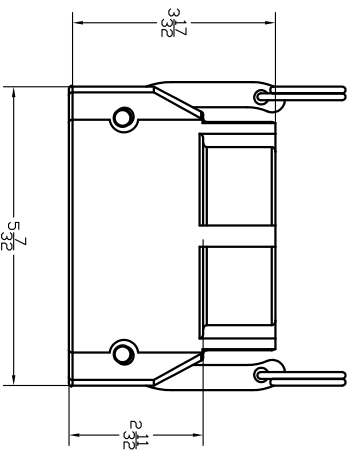
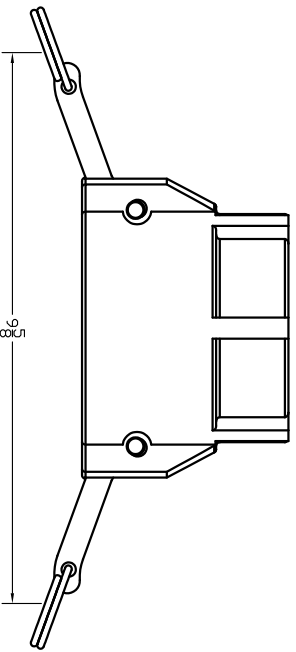
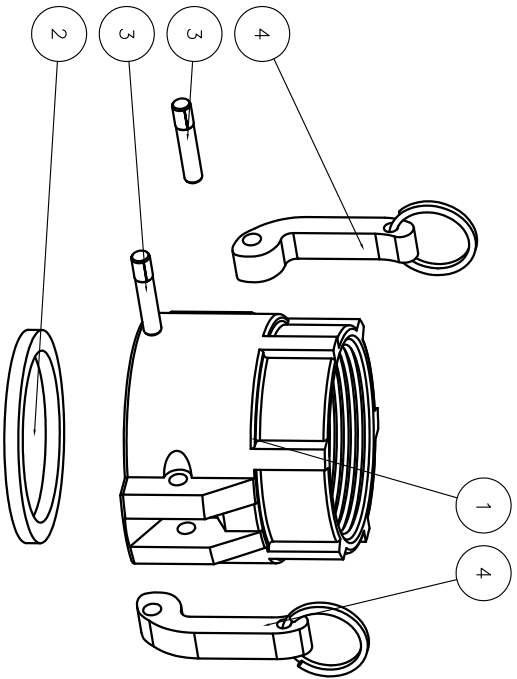


| Parts List |   |           | Item | Qty                      | Name | Description |
|------------|---|-----------|------|--------------------------|------|-------------|
| 1          | 1 | 300XMD    | 3"   | FEMALE COUPLING X 3" NPT |      |             |
| 2          | 1 | 300G      | 3"   | COUPLING GAKSET          |      |             |
| 3          | 2 | 300P      | 3"   | PIN                      |      |             |
| 4          | 2 | 300K      | 3"   | CAM ARM                  |      |             |
| 5          | 1 | 150(200)D |      | PRESSURE LABEL (N/S)     |      |             |



**LIQUID HANDLING PRODUCTS**  
**BANJO CORPORATION**  
 150 BANJO DR. ■ CHAMBERSVILLE, IN 47923

PART NO. 300D  
 TITLE 3" Female Coupling x 3" FNPT

THIS DRAWING AND ALL INFORMATION CONTAINED HEREIN ARE THE PROPERTY OF BANJO CORPORATION. UNLESS SPECIFICALLY NOTED, THIS DRAWING IS UNCLASSIFIED AND DRAWINGS ARE SUBJECT TO CHANGE. © 1991 BANJO